

Schlage Control™ Smart Deadbolt

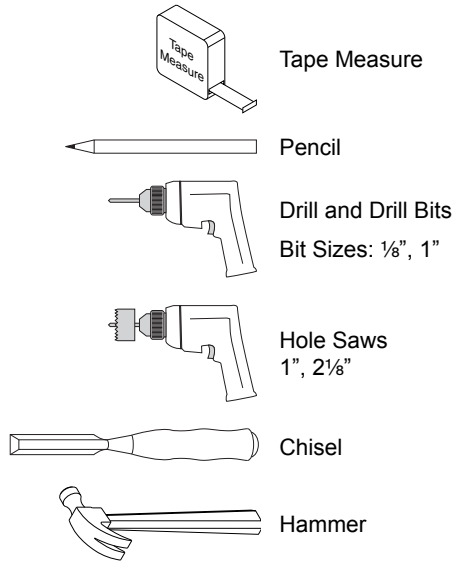


with Engage Technology

Model FE410F

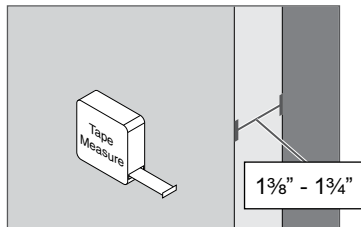
Door Preparation Instructions for Door with No Holes

Tools Needed



1 Measure door thickness.

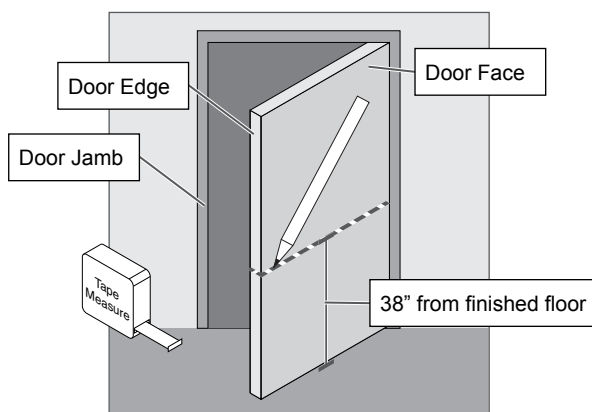
If the door is thinner than 1 3/8" or thicker than 1 3/4", then the lock will not fit properly on the door.



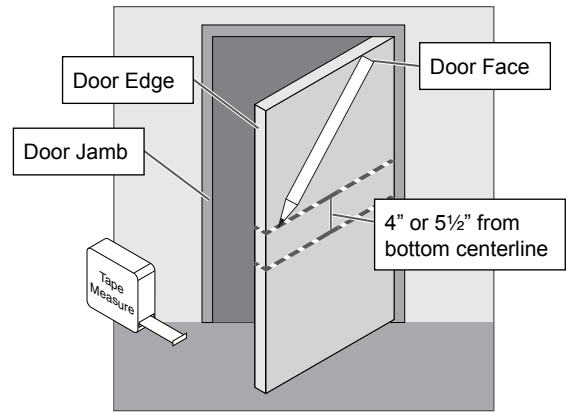
① A thick door kit is available from Product Support at 800-847-1864.

2 Mark lock centerlines.

2a Mark bottom centerline on door face, door edge and door jamb.



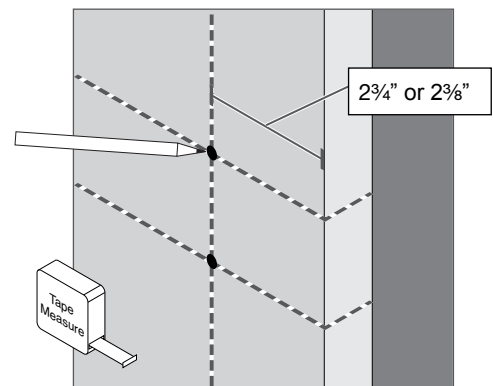
2b Mark top centerline on door face, door edge and door jamb.



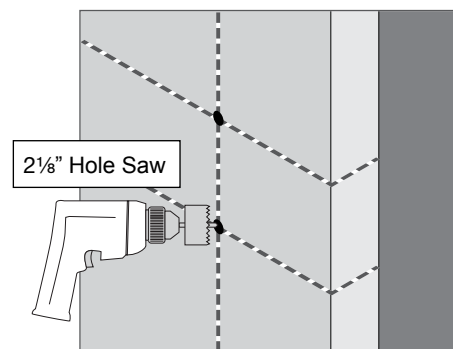
① Locks are ordered as either 4" or 5 1/2".

3 Prepare cross bores.

3a Measure backset and mark center of holes.

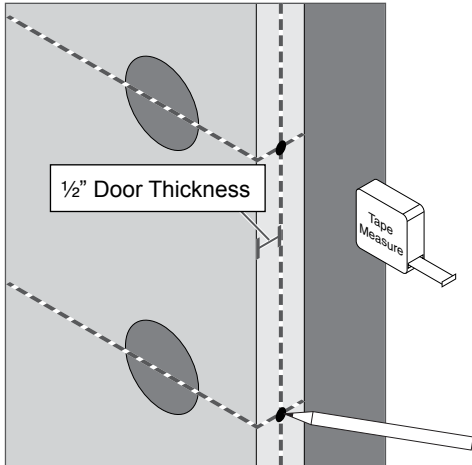


3b Drill holes with hole saw.

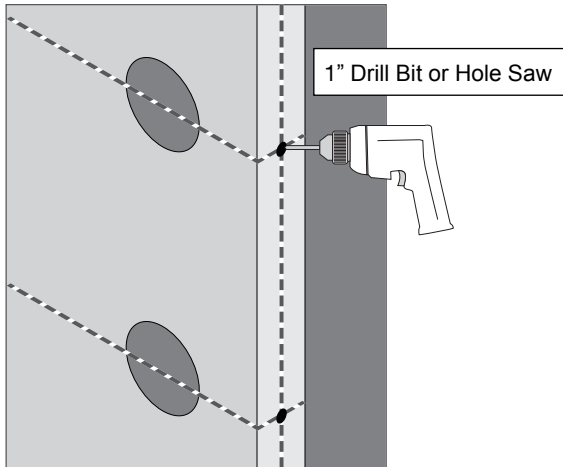


4 Prepare door edge holes.

4a Measure and mark $\frac{1}{2}$ " door thickness.

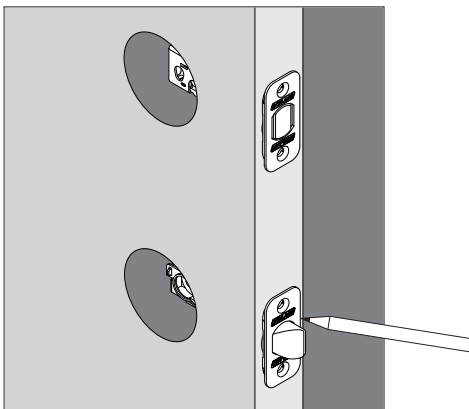


4b Drill holes in door edge.

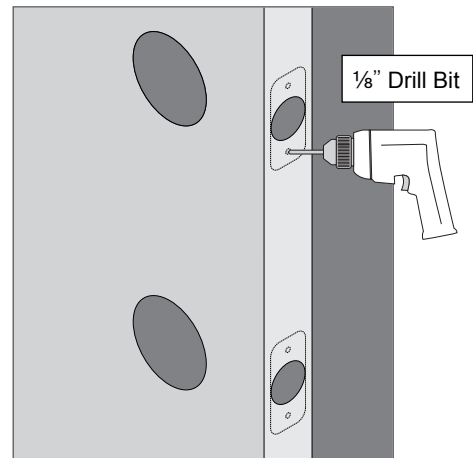


5 Mortise for latch and bolt.

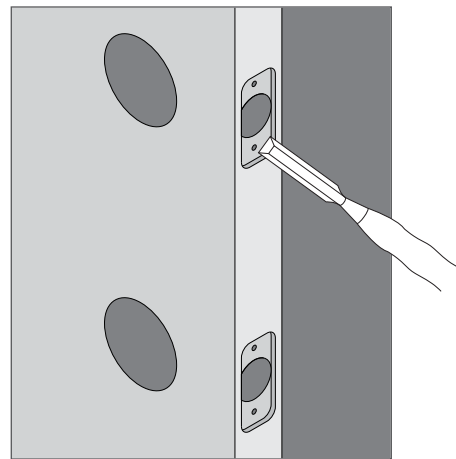
5a Insert latch into door edge hole. Trace latch faceplate and mark holes.



5b Remove latch and bolt. Drill four $\frac{1}{8}$ " pilot holes.

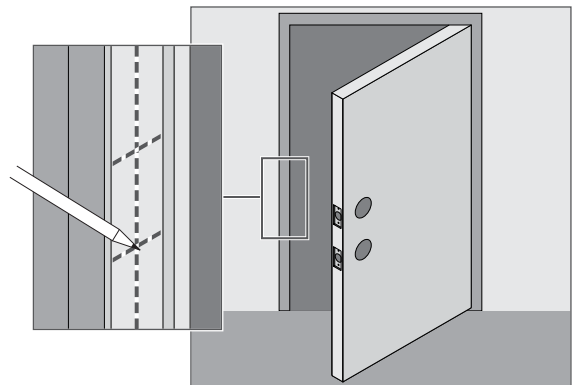


5c Use chisel and hammer to create mortise for latch and bolt.

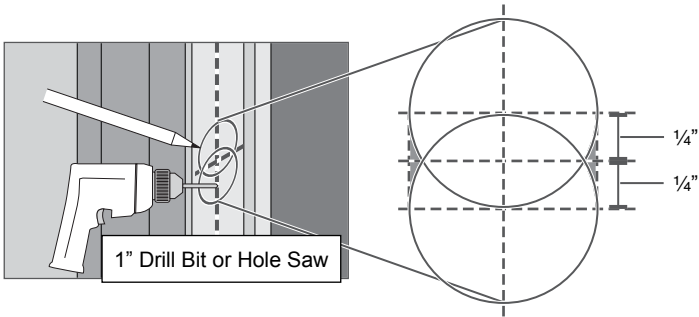


6 Measure, mark and drill holes in door jamb for strikes.

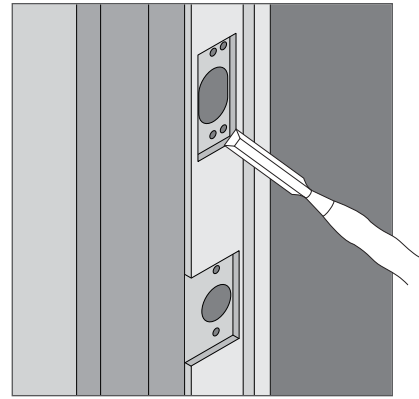
6a Mark center for strike holes exactly opposite latch and bolt holes.



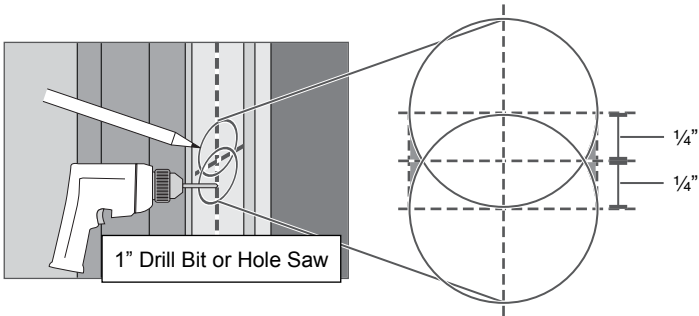
6b For the bolt strike, measure, mark and drill two (2) 1" holes, 1/4" deep, as shown. Chisel out excess material on the sides.



7c Use chisel and hammer to create mortise for strikes and reinforcement plate.



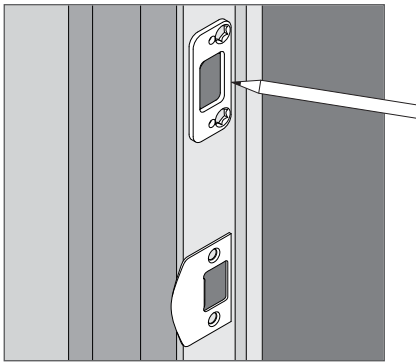
6c For the latch strike, measure, mark and drill two (2) 1" holes, 1/2" deep, as shown. Chisel out excess material on the sides.



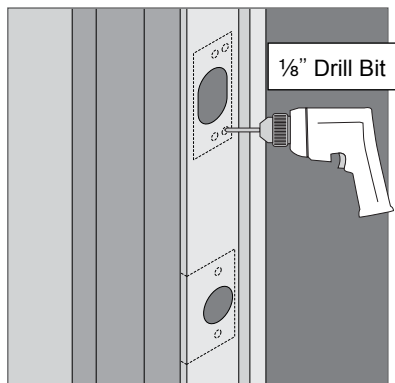
ⓘ **Mortise for latch strike extends all the way to the edge of the jab to allow for the latch lip.**

7 Mortise for latch and bolt strike.

7a Trace latch strike and bolt reinforcement plate. Mark holes.



7b Drill six (6) 1/8" pilot holes.



Product Support

800-847-1864

www.allegion.com

